



L-200 ILLUMINATION UNIT

Specification

Value

Illumination

LEDS Quantity
Spectrum
Intensity

Built-in 48 pcs super power LED
Infra-Red 850 nm, White, Yellow
CPU controlled

Operation modes

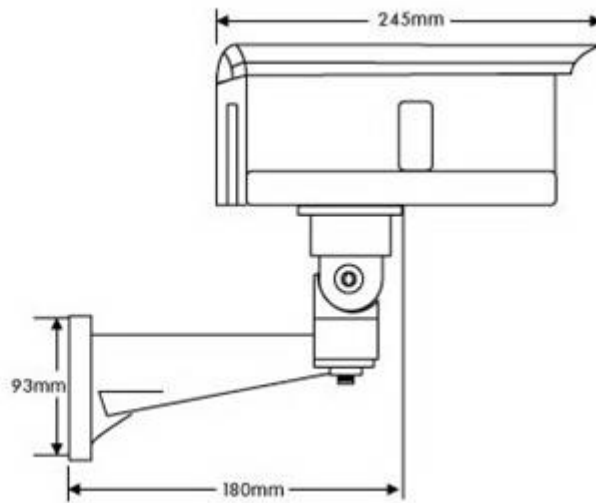
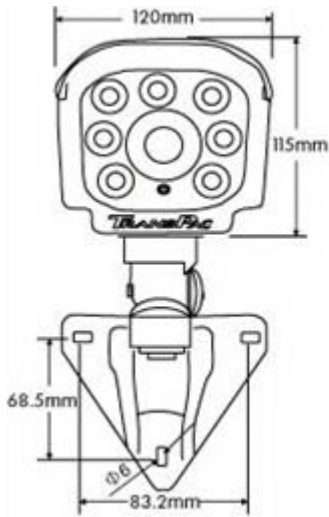
Two modes of operation:
Continues mode - light constantly on
Sync. mode – Sync. to camera shutter

Reflectors

Short range (5-6 meters) (16.4 – 19.7 ft.)
Mid. range (6-15 meters) (19.7 – 49.2 ft.)
Long range (15-20 meters) (49.2 – 65.6 ft.)

Effective Range
Daisy-chaining

5 meters to 20 meters (16.4 to 65.6 ft.)
Illumination units chaining



Physical

Case	Die-Cast Aluminum Alloy
Protection degree	IP66
Temperature	-40°C to +60° C (-40 to + 140 F)
Adjustment angles	2 levels (up/down, right/left)
Quality regulatory	ISO 9001-2008
Housing Dimensions	245(L) x 120(W) x 115(H) mm 9.6(L) x 4.7(W) x 4.5(H) Inch

Mounting bracket	Full cable management 180(L) x 93(W) x 100(H) mm 7.1(L) x 3.7(W) x 3.9(H) Inch
------------------	--

Weight	Including mounting bracket 3.2Kg/ 7.04 lb.
--------	---

Electrical

Power	24 VDC or 24VAC, 60W
Power consumption	Mode of operation dependent Average 18W Max 40 W

Safety

LED`s eye-safety	IEC60825-1, class-1 IEC6241-2008
------------------	-------------------------------------